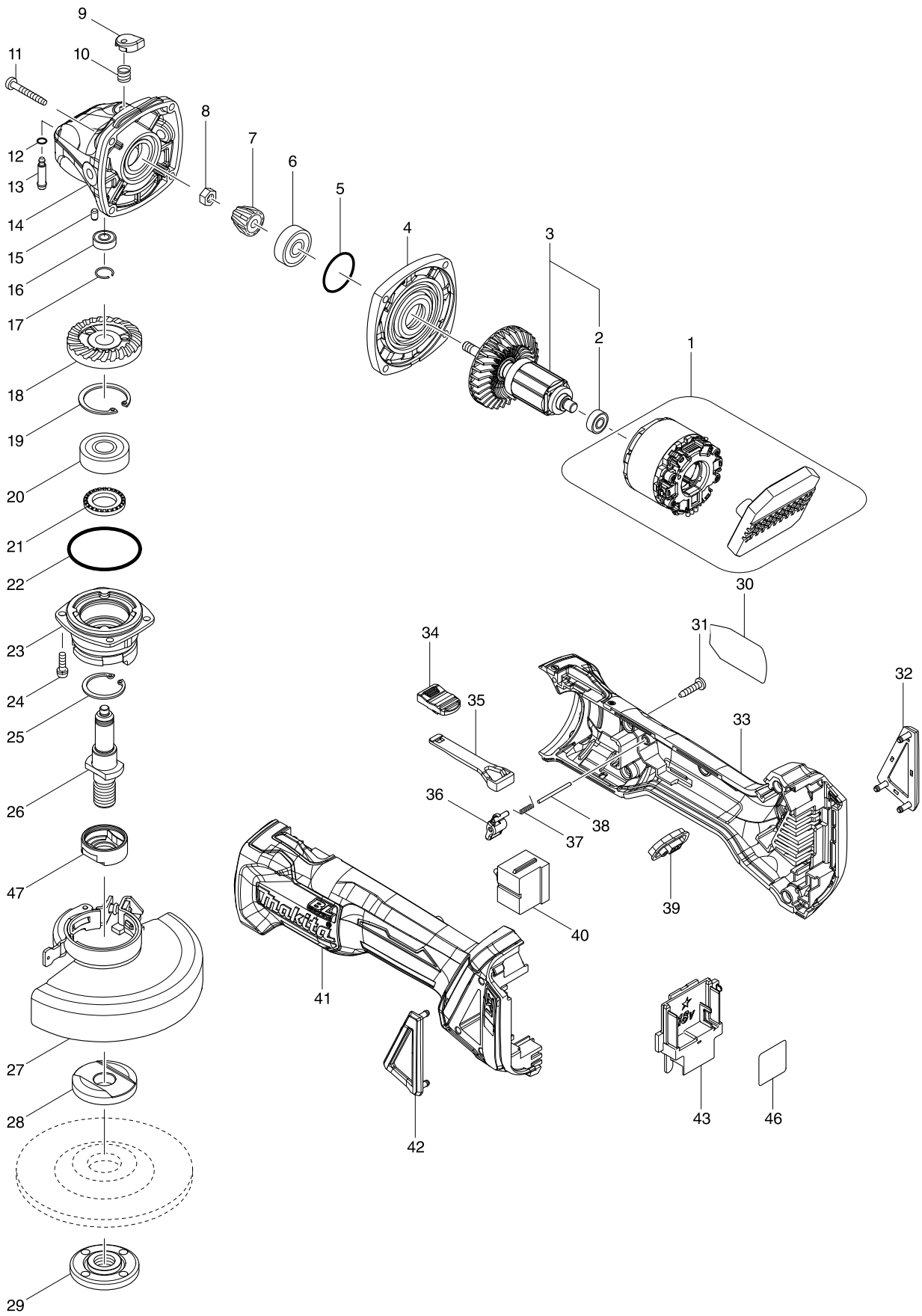


Model No. DGA456 115MM CORDLESS ANGLE GRINDER



Model No. DGA456 115MM CORDLESS ANGLE GRINDER

| Item | Parts No. | Description | I/C | QTY | N/O | Opt. 1 | Opt. 2 | NOTE |
|------|-----------|-------------------------------|-----|-----|-----|--------|--------|------|
| 001 | 629201-7 | STATOR COMPLETE | | 1 | | | | |
| 002 | 210034-7 | BALL BEARING 607LLB | | 1 | | | | |
| 003 | 519378-5 | ROTOR ASS'Y | | 1 | | | | |
| D10 | | INC. 2 | | | | | | |
| 004 | 319214-3 | GEAR HOUSING COVER | | 1 | | | | |
| 005 | 213445-5 | O-RING 26 | | 1 | | | | |
| 006 | 210042-8 | BALL BEARING 629LLB | | 1 | | | | |
| 007 | 227541-3 | SPIRAL BEVEL GEAR 10 | | 1 | | | | |
| 008 | 252186-8 | HEX. NUT M6 | | 1 | | | | |
| 009 | 417771-6 | PIN CAP | | 1 | | | | |
| 010 | 233072-2 | COMPRESSION SPRING 8 | | 1 | | | | |
| 011 | 266361-0 | TAPPING SCREW 4X30 | | 4 | | | | |
| 012 | 213960-9 | O RING 5 | | 1 | | | | |
| 013 | 256546-6 | SHOULDER PIN 4 | | 1 | | | | |
| 014 | 319213-5 | GEAR HOUSING | | 1 | | | | |
| 015 | 263002-9 | RUBBER PIN 4 | | 1 | | | | |
| 016 | 210033-9 | BALL BEARING 696ZZ | | 1 | | | | |
| 017 | 233950-6 | RING SPRING 11 | | 1 | | | | |
| 018 | 227641-9 | SPIRAL BEVEL GEAR 37 | | 1 | | | | |
| 019 | 962151-6 | RETAINING RING R-32 | | 1 | | | | |
| 020 | 211129-9 | BALL BEARING 6201DDW | | 1 | | | | |
| 021 | 262153-5 | FELT RING 16 | | 1 | | | | |
| 022 | 213622-9 | O RING 45 | | 1 | | | | |
| 023 | 319399-5 | BEARING BOX | | 1 | | | | |
| 024 | 911121-2 | PAN HEAD SCREW M4X14 | | 4 | | | | |
| 025 | 962105-3 | RETAINING RING R-26 | | 1 | | | | |
| 026 | 326672-6 | SPINDLE | | 1 | | | | |
| 027 | 123144-0 | TOOLLESS WHEELCOVER 115AK ASS | | 1 | | | | |
| C10 | 213009-5 | O RING 4 | | 1 | | | | |
| C20 | 265180-1 | PAN HEAD SCREW M5X16 | | 1 | | | | |
| 028 | 224447-6 | INNER FLANGE 42B | | 1 | | | | |
| 029 | 224554-5 | LOCK NUT 14-45 | | 1 | | | | |
| 030 | 851Y70-0 | DGA456 NAME PLATE | | 1 | | | | |
| 031 | 266326-2 | TAPPING SCREW 4X18 | | 5 | | | | |
| 032 | 455450-8 | DUST COVER R | | 1 | | | | |
| 033 | 187998-9 | MOTOR HOUSING SET | | 1 | | | | |
| C10 | 263005-3 | RUBBER PIN 6 | | 2 | | | | |
| D10 | | INC. 41 | | | | | | |
| 034 | 455447-7 | SWITCH KNOB | | 1 | | | | |
| 035 | 455446-9 | SWITCH LEVER | | 1 | | | | |
| 036 | 455448-5 | LEVER | | 1 | | | | |
| 037 | 231679-8 | TORSION SPRING 2 | | 1 | | | | |
| 038 | 268330-7 | PIN 2 | | 1 | | | | |
| 039 | 142901-7 | INDICATOR PANEL COMPLETE | | 1 | | | | |
| 040 | 650579-7 | SWITCH 1246.3223 | | 1 | | | | |
| 041 | 187998-9 | MOTOR HOUSING SET | | 1 | | | | |
| C10 | 263005-3 | RUBBER PIN 6 | | 2 | | | | |
| D10 | | INC. 33 | | | | | | |

